

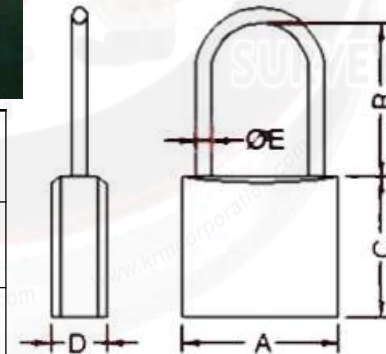


# KRM LOTO – ALUMINUM SAFETY PADLOCK

- Padlock Is a detachable Lock Passed By An Opening With U-shaped Shackle Used To Protect Against Unauthorized Or Unwanted Stealing. Provided With Latest Locking Mechanism Used To Lock The Different Devices.
- KRM LOTO SAFETY PADLOCK ---"seamless" lock structure durability-Key system: DIFFER KEY, ALIKE KEY, MASTER & DIFFER KEY.
- Aluminum Body Padlock with brass cylinder and 6 pin tumbler
- Key retaining-ensures that padlock is not left unlocked.
- Two layer nickel plated brass keys
- Hardened Steel Shackle
- Key system: DIFFER KEY, ALIKE KEY, MASTER & DIFFER KEY.
- Body material: Aluminum body
- Shackle Material: Hardened Steel Shackle
- Color: Red, Yellow, Blue, Green, Orange, Black
- Withstand 48 to 72 hours of salt spray testing



**KRM-K-ASP**



BODY WIDTH (A)	SHACKLE HEIGHT (B)	BODY HEIGHT (C)	BODY DEPTH (D)	SHACKLE THICKNESS (E)
39 mm	38 mm	40.5 mm	19 mm	6.3 mm
39 mm	76 mm	40.5 mm	19 mm	6.3 mm